



8560 EC-Series **Spectrum Analyzers**

Agilent 8560 EC-Series Spectrum Analyzers

- | | |
|----------------------------------|----------------------------------|
| Agilent 8560EC 30 Hz to 2.9 GHz | Agilent 8563EC 30 Hz to 26.5 GHz |
| Agilent 8561EC 30 Hz to 6.5 GHz | Agilent 8564EC 30 Hz to 40 GHz |
| Agilent 8562EC 30 Hz to 13.2 GHz | Agilent 8565EC 30 Hz to 50 GHz |



The Agilent 8560 EC-Series spectrum analyzers have a color display, offer standard digitized fast time domain sweeps (option 007 on the 8560 E-Series), and are Class 3 MIL-rugged. The 8560 EC-Series is identical to the 8560 E-Series in all other respects.

Unless noted, all specifications describe the instrument's warranted performance under the following conditions: 5-minute warm-up from ambient conditions, autocoupled controls, digital display, IF ADJ ON, REF LVL CAL adjusted, SECOND IF OUTPUT and 1ST LO OUTPUT terminated in 50 Ω. After a 30-minute warm-up, and over a temperature range of 20°C to 30°C, the preselector does not have to be peaked at each signal of interest; under these conditions factory preselector peak values are sufficient to meet all specifications. Typical performance is non-warranted. Supplemental characteristics are denoted by "nominal" and "approximately"; these constitute non-warranted functional performance information derived during the design process and are not tested on a continuing basis.

Frequency Specifications, Agilent 8560 EC-Series

Frequency Range

	8560EC	8561EC	8562EC	8563EC	8564EC	8565EC
Internal	30 Hz** to	30 Hz** to	30 Hz** to	30 Hz* to	30 Hz* to	30 Hz* to
Mixing	2.9 GHz	6.5 GHz	13.2 GHz	26.5 GHz	40 GHz	50 GHz
External	18 GHz to	18 GHz to	18 GHz to	18 GHz to	18 GHz to	18 GHz to
Mixing	325 GHz	325 GHz	325 GHz	325 GHz	325 GHz	325 GHz

* Agilent 8563EC, 8564EC, 8565EC require Option 006 for operation below 9 kHz.

** Agilent 8560EC, 8561EC, 8562EC minimum frequency in AC coupled mode is 100 kHz. In DC coupled mode minimum frequency is 30 Hz.

Frequency Band	Harmonic Mixing Mode (N)
30 Hz to 2.9 GHz	1
2.75 GHz to 6.46 GHz	1
5.86 GHz to 13.2 GHz	2
12.4 GHz to 26.8 GHz	4
26.4 GHz to 31.15 GHz	4
31.0 GHz to 50 GHz	8

Frequency Reference

		Opt 103
Temperature Stability*	$\pm 1 \times 10^{-8}$	$\pm 1 \times 10^{-6}$
Aging (per year)	$\pm 1 \times 10^{-7}$	$\pm 2 \times 10^{-6}$
(per day nom.)	$\pm 5 \times 10^{-10}$ **	
Initial Achievable Accuracy	$\pm 2.2 \times 10^{-8}$	$\pm 1 \times 10^{-6}$
Short-term warmup accuracy factors (nominal)		
5 minute	$\pm 1 \times 10^{-7}$	
15 minute	$\pm 1 \times 10^{-8}$	

* -10°C to $+55^{\circ}\text{C}$, referenced to 25°C

** after 7 day warmup

Frequency Readout Accuracy

(Start, Stop, Center and Marker frequency functions)

Span > 2 MHz x N*	$\pm(\text{freq readout} \times \text{freq ref accuracy}^{**} + 5\% \times \text{span} + 15\% \times \text{RBW} + 10 \text{ Hz})$
Span \leq 2 MHz x N*	$\pm(\text{freq readout} \times \text{freq ref accuracy}^{**} + 1\% \times \text{span} + 15\% \times \text{RBW} + 10 \text{ Hz})$

* N = harmonic mixing mode number

** Frequency reference accuracy = aging x time since last adjustment + initial achievable accuracy + temperature stability

Frequency Counter Accuracy

Marker Count Accuracy	$\pm(\text{marker freq} \times \text{freq ref accuracy}^* + 2 \text{ Hz} \times \text{N}^{***})$
(S/N \geq 25 dB)	+1 LSD of counter
Accuracy at 1 GHz	$\pm 225 \text{ Hz}$ (5 minute warmup)**
(25°C , 1 yr aging, marker resolution = 1 Hz)	$\pm 135 \text{ Hz}$ (15 minute warmup)**
	$\pm 3003 \text{ Hz}$ (Option 103)
Delta Count Accuracy	$\pm(\text{delta freq} \times \text{freq ref accuracy}^* + 4 \text{ Hz} \times \text{N}^{***})$
(S/N \geq 25 dB)	+2 LSD)
Counter Resolution	Selectable from 1 Hz to 1 MHz

* Frequency reference accuracy = aging x time since last adjustment + initial achievable accuracy + temperature stability

** Short term warmup accuracy factors have been included in this calculation.

*** N = harmonic mixing mode number.

Frequency Span

Range	0, 100 Hz to full span (100 Hz x N* when using external mixers)
--------------	--

Accuracy	
Span > 2 MHz x N*	$\pm 5\%$
Span \leq 2 MHz x N*	$\pm 1\%$

* N = harmonic mixing mode number

Frequency Specifications, cont'd

Sweep Time

Range

Span = 0 Hz	50 μ s to 6000 s
Span \pm 100 Hz	
RBW \geq 300 Hz	50 ms to 2000 s
RBW \leq 100 Hz	50 ms to 100 ks

Accuracy (Span = 0 Hz)

Sweep time \geq 30 ms	\pm 1% (digitized trace data)
Sweep time < 30 ms (non-Option 007)	\pm 10% (analog trace data)
Sweep time < 30 ms (Option 007*)	\pm 0.1% (digitized trace data)
Sweep Trigger	delayed, free run, single, line, video, external

* Option 007 extends digitized trace data capability to sweep times < 30 ms.

Resolution Bandwidth

Range (-3 dB)	1 Hz to 1 MHz in a 1, 3, 10 sequence and 2 MHz (3 MHz at -6 dB)	
Option 103	10 Hz to 1 MHz in a 1, 3, 10 sequence and 2 MHz (3 MHz at -6 dB)	
Accuracy	1 Hz to 300 kHz	\pm 10%
	1 MHz	\pm 25%
	2 MHz	+50%, -25%

Selectivity (-60 dB/-3 dB BW ratio)

RBW \geq 300 Hz	< 15:1
RBW \leq 100 Hz	< 5:1

Video Bandwidth Range 1 Hz to 3 MHz in a 1, 3, 10 sequence

Noise Sidebands (see figure 1)

Center Frequency \leq 1 GHz

Offset

		Opt 103
100 Hz	\leq 88 dBc/Hz*	\leq 70 dBc/Hz*
1 kHz	\leq 97 dBc/Hz*	\leq 90 dBc/Hz*
10 kHz#	\leq 113 dBc/Hz**	\leq 113 dBc/Hz**
30 kHz###	\leq 113 dBc/Hz***	\leq 113 dBc/Hz***
100 kHz##	\leq 117 dBc/Hz****	\leq 117 dBc/Hz****

* Add 5.2 x ((f/1 GHz)-1) for f > 1 GHz and f \leq 2.9 GHz

** Add 2.5 x ((f/1 GHz)-1) for f > 1 GHz and f \leq 2.9 GHz

*** Add 3.0 dB x ((f/1 GHz)-1) for f > 1 GHz and f \leq 2.9 GHz

**** Add 2 dB for f > 1 GHz and f \leq 2.9 GHz

RBW \leq 1k or Span \leq 745 kHz

RBW \geq 3k or Span > 745 kHz

Not specified at 30 kHz offset for Agilent 8564EC and Agilent 8565EC

Residual FM

(zero span, 10 Hz RBW)	< 1 Hz pk-pk x N* in 20 ms
	< 0.25 Hz pk-pk x N* in 20 ms (typical)
Option 103	< 10 Hz pk-pk x N* in 20 ms

* N = harmonic mixing mode number

Amplitude Specifications, Agilent 8560 EC-Series

Range Displayed Average Noise Level to +30 dBm

Maximum Safe Input Level

Average Continuous Power +30 dBm (1 W, input attn ≥ 10 dB)
Peak Pulse Power +50 dBm (100 W, input attn ≥ 30 dB)
 (≤ 10 μs pulse width, < 1% duty cycle)

Maximum DC Input Voltage

DC coupled ±0.2 Vdc
 AC coupled ±50 Vdc

Displayed Average Noise Level (DANL) (see figure 2)

(0 dB attenuation, 1 Hz resolution bandwidth*)

	8560EC	8561EC	8562EC	8563EC	8564EC, 8565EC
30 Hz**	≤ 90 dBm	≤ 90 dBm	≤ 90 dBm	≤ 90 dBm	≤ 90 dBm
1 kHz**	≤ 105 dBm	≤ 105 dBm	≤ 105 dBm	≤ 105 dBm	≤ 105 dBm
10 kHz	≤ 120 dBm	≤ 120 dBm	≤ 120 dBm	≤ 120 dBm	≤ 120 dBm
100 kHz	≤ 120 dBm	≤ 120 dBm	≤ 120 dBm	≤ 120 dBm	≤ 120 dBm
1 MHz to 10 MHz	≤ 140 dBm	≤ 140 dBm	≤ 140 dBm	≤ 140 dBm	≤ 140 dBm
10 MHz to 2.9 GHz	≤ 151 dBm	≤ 145 dBm	≤ 151 dBm	≤ 151 dBm	≤ 145 dBm
2.9 GHz to 6.46 GHz		≤ 145 dBm	≤ 148 dBm	≤ 148 dBm	≤ 147 dBm
6.46 GHz to 13.2 GHz			≤ 145 dBm	≤ 145 dBm	≤ 143 dBm
13.2 GHz to 22.0 GHz				≤ 140 dBm	≤ 140 dBm
22.0 GHz to 26.8 GHz				≤ 139 dBm	≤ 136 dBm
26.8 GHz to 31.15 GHz					≤ 139 dBm
31.15 GHz to 40 GHz					≤ 130 dBm
40 GHz to 50 GHz					≤ 127 dBm

* For Option 103, degrade DANL by 10 dB

** Agilent 8563EC, 8564EC, 8565EC require Option 006 for operation below 9 kHz

1 dB Gain Compression

Maximum power at mixer = input power (dBm) – input attenuation (dB)

10 MHz to 2.9 GHz –5 dBm
 2.9 GHz to 6.46 GHz +0 dBm*
 6.46 GHz to 26.8 GHz –3 dBm
 26.8 GHz to 50 GHz +0 dBm (nominal)

* Agilent 8561EC: –3 dBm

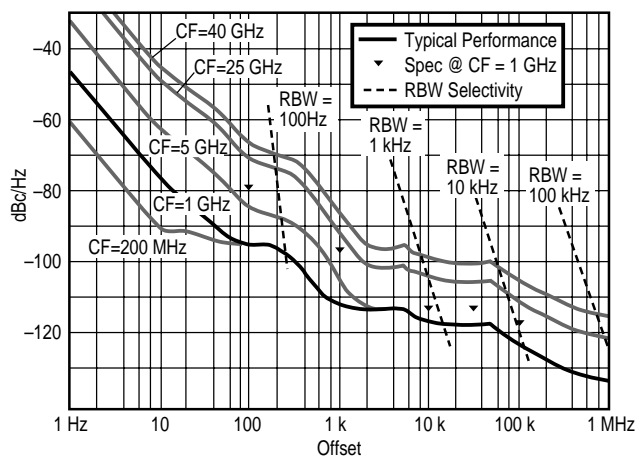


Fig 1. Noise sidebands normalized to 1 Hz BW versus offset from carrier.

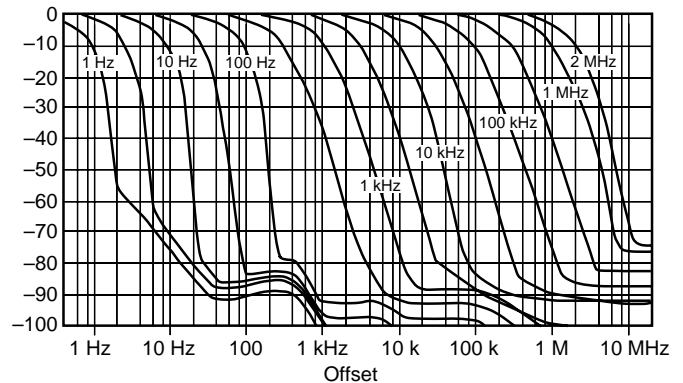


Fig 2. Typical on-screen dynamic range vs offset from 1 GHz center frequency for all RBWs (mixer level = –10 dBm).

Amplitude Specifications, cont'd

Dynamic Range (see figure 3) Compression to Noise*

	8560EC	8561EC	8562EC	8563EC	8564EC , 8565EC
10 MHz to 2.9 GHz	> 146 dB	> 140 dB	> 146 dB	> 144 dB	> 145 dB
2.9 GHz to 6.46 GHz		> 142 dB	> 148 dB	> 148 dB	> 147 dB
6.46 GHz to 13.2 GHz			> 142 dB	> 142 dB	> 140 dB
13.2 GHz to 22.0 GHz				> 137 dB	> 137 dB
22.0 GHz to 26.8 GHz				> 136 dB	> 133 dB
26.8 GHz to 31.15 GHz					> 139 dB
31.15 GHz to 40 GHz					> 130 dB
40 GHz to 50 GHz					> 127 dB

* (1dB compression - DANL) For Option 103, degrade compression to noise dynamic range by 10 dB

Signal to Distortion Harmonic*

	8560EC	8561EC	8562EC	8563EC	8564EC, 8565EC
20 MHz to 1.45 GHz	> 95 dB	> 88.5 dB	> 95 dB	> 94dB	> 92 dB
1.45 GHz to 2 GHz		> 98.5 dB	> 111.5 dB	> 111.5 dB	> 111 dB
2 GHz to 3.25 GHz		> 119 dB	> 119 dB	> 119 dB	> 113.5 dB
3.25 GHz to 6.6 GHz			> 117.5 dB	> 117.5 dB	> 111.5 dB
6.6 GHz to 11 GHz				> 115 dB	> 110 dB
11 GHz to 13.4 GHz				> 114.5 dB	> 108 dB
13.4 GHz to 15.6 GHz					> 109.5 dB
15.6 GHz to 20 GHz					> 105 dB
20 GHz to 25 GHz					> 103.5 dB

* 0.5 x (SHI - DANL at 2 x input frequency) For Option 103, degrade harmonic (SHI) dynamic range by 5 dB

Intermodulation*

	8560EC	8561EC	8562EC	8563EC	8564E, 8565EC
10 MHz to 2.9 GHz	> 108 dB	> 103 dB	> 108 dB	> 107 dB	> 104dB
2.9 GHz to 6.46 GHz		> 107 dB	> 108.5 dB	> 108.5 dB	> 108 dB
6.46 GHz to 13.2 GHz			> 101.5 dB	> 101.5 dB	> 100 dB
13.2 GHz to 22.0 GHz				> 98 dB	> 98 dB
22.0 GHz to 26.8 GHz				> 97.5 dB	> 95.5 dB
26.8 GHz to 31.15 GHz					> 101 dB (nominal)
31.15 GHz to 40 GHz					> 95 dB (nominal)
40 GHz to 50 GHz					> 93 dB (nominal)

* 0.67 x (TOI - DANL) For Option 103, degrade intermodulation (TOI) dynamic range by 6.67 dB

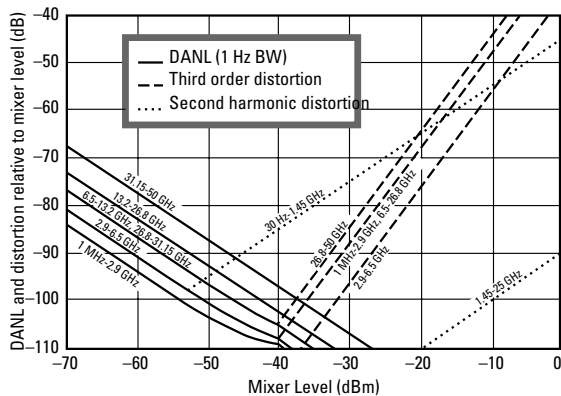


Fig 3. Agilent 8560 EC-Series nominal dynamic range

Amplitude Specifications, cont'd

Spurious Responses

General Spurious Responses

(Mixer level -40 dBm) $< (-75 + 20 \times \log N)$ dBc

Second Harmonic Distortion

Input Signal	Mixer Level	Distortion	SHI
20 MHz to 1.45 GHz	-40 dBm	≤ 79 dBc*	+39 dBm*
1.45 GHz to 2 GHz	-10 dBm**	≤ 85 dBc**	+75 dBm**
2 GHz to 13.25 GHz			
HP 8562E, 8563E	-10 dBm	≤ 100 dBc	+90 dBm
HP 8564E, 8565E	-10 dBm	≤ 90 dBc	+80 dBm
13.25 GHz to 25 GHz	-10 dBm	≤ 90 dBc	+80 dBm

* Agilent 8561EC: distortion -72 dBc, SHI +32dBm

** Agilent 8561EC: mixer level -20 dBm, distortion -72 dBc, SHI +52 dBm

Third Order Intermodulation Distortion

(Two -30 dBm signals, ≥ 1 kHz apart)

	Mixer Level	Distortion	TOI
20 MHz to 2.9 GHz	-30 dBm each	≤ 82 dBc*	+11 dBm
2.9 GHz to 6.46 GHz	-30 dBm each	≤ 90 dBc	+15 dBm
6.46 GHz to 26.8 GHz	-30 dBm each	≤ 75 dBc	+7.5 dBm
26.8 GHz to 50 GHz	-30 dBm each	≤ 85 dBc (nominal)	+12.5 dBm (nominal)

* Agilent 8561EC -78 dB distortion with two -30 dBm signals, 9 dBm TOI

Image Responses

	Mixer Level	
10 MHz to 26.8 GHz	-10 dBm	-80 dBc
26.8 GHz to 50 GHz	-30 dBm	-60 dBc

Multiple and Out-of-band Responses

	Mixer Level	
10 MHz to 26.8 GHz	-10 dBm	-80 dBc
26.8 GHz to 50 GHz	-30 dBm	-55 dBc

Residual Responses

≤ 90 dBm, for the range from 200 kHz to 6.46 GHz, no input signal, 0 dB input attenuation

Display Range

Viewing Area	color display, approximately 9.6 cm (v) x 13 cm (h)
Scale Calibration	10 x 10 divisions
Log Scale	10, 5, 2, 1 dB per division
Linear Scale	10% of reference level per division

Scale Fidelity

	Incremental	Maximum
Log Range	0 to -90 dB	0 to -90 dB
RBW ≥ 300 Hz	± 0.1 dB/dB	± 0.85 dB
RBW ≤ 100 Hz	± 0.2 dB/2dB	± 0.85 dB*
Linear Range	$\pm 3\%$ of reference level	

* maximum for 0 to -100 dB is ± 1.5 dB

Amplitude Specifications, cont'd

Reference Level Range

Log, adjustable in 0.1 dB steps

30 Hz to 31.15 GHz	-120 to +30 dBm
31.15 GHz to 50 GHz	-115 to +30 dBm

Linear, adjustable in 1% steps

30 Hz to 31.15 GHz	2.2 μ V to 7.07 V
31.15 GHz to 50 GHz	3.98 μ V to 7.07 V

Frequency Response in dB, 10 dB input attenuation, dc coupled

relative / typical relative / absolute** / typical absolute***

	8560EC	8561EC	8562EC	8563EC	8564EC,8565EC
100 MHz to 2 GHz	0.7/0.7/--/--		0.9/0.8/--/--	1.0/0.8/--/--	0.9/0.8/--/--
30 Hz* to 2.9 GHz	1/0.8/1.5/1.0	1.0/0.7/1.75/1.0	1.25/0.8/1.8/1.0	1.25/0.8/1.8/1.0	1.0/0.8/1.5/1.0
2.9 GHz to 6.46 GHz		1.5/1.1/2.5/1.5	1.5/1.1/2.5/1.5	1.5/1.0/2.4/1.5	1.7/1.4/2.6/1.8
6.46 to 13.2 GHz			2.2/1.5/2.9/2.0	2.2/1.5/2.9/2.0	2.6/2.2/3.0/2.8
13.2 to 22 GHz				2.5/1.5/4.0/2.5	2.5/2.5/4.0/3.5
22 to 26.8 GHz				3.3/2.2/4.0/2.5	3.3/2.2/4.5/4.0
26.8 to 31.15 GHz					3.1/2.9/4.0/3.0
31.15 GHz to 40 GHz (Agilent 8564EC)					2.6/2.4/4.0/3.2
31.15 GHz to 50 GHz (Agilent 8565EC)					3.2/3.0/4.0/4.0

* Operation below 9 kHz requires option 006

** Absolute flatness values referenced to 300 MHz CAL OUT

*** Typical values at 25C

Band Switching Uncertainty

± 1 dB (added to relative frequency response for between-band measurements)

Calibrator Output

300 MHz x (1 \pm frequency reference accuracy*) at -10 dBm ± 0.3 dB

* Frequency reference accuracy = aging x time since last adjustment + initial achievable accuracy + temperature stability

Input Attenuator

Switching Uncertainty (referenced to 10 dB attenuation)

30 Hz to 2.9 GHz for 20 to 70 dB settings of input attenuator:

± 6 dB/10 dB step, 1.8 dB maximum

Repeatability ± 0.1 dB (nominal)

IF Gain Uncertainty

± 1 dB (0 to -80 dBm reference levels with 10 dB input attenuation)

IF Alignment Uncertainty

± 0.5 dB (additional uncertainty only when using 300 Hz RBW)

Resolution Bandwidth Switching Uncertainty

± 0.5 dB (relative to 300 kHz RBW)

Amplitude Specifications, cont'd

Pulse Digitization Uncertainty

(pulse response mode, PRF >720/sweep time)

	Log	Linear
RBW ≤ 1 MHz	< 1.25 dB pk-pk	< 4% of ref level
RBW = 2 MHz	< 3 dB pk-pk	< 12% of ref level
Standard Deviation (RBW < 1 MHz)		< 0.2 dB (nominal)

Time-gated Spectrum Analysis

Gate Delay*	Edge Mode	Level Mode
Range	3 μs to 65.535 ms	≤ 0.5 μs
Resolution	1 μs	
Accuracy	±1 μs	

(From GATE TRIGGER INPUT to positive edge of GATE OUTPUT)

Gate Length

Range	1 μs to 65.535 ms
Resolution	1 μs
Accuracy	±1 μs

(From positive edge to negative edge of GATE OUTPUT)

*Up to 1 μs jitter due to 1 μs resolution of gate delay clock

Delayed Sweep

Trigger Modes	Free Run, Line, External, Video
Range	
Non-Option 007*	+2 μs to +65.535 ms
Option 007, sweep time < 30 ms	-9.9 ms to +65.535 ms
sweep time ≥ 30 ms	+2 μs to +65.535 ms
Resolution	1 μs
Accuracy	±1 μs

*Up to 1 μs jitter due to 1 μs resolution of gate delay clock

Demodulation

Spectrum Demodulation

Modulation type	AM and FM
Audio output	Speaker and phone jack with volume control
Marker Pause Time	100 ms to 60 s (nominal)

Inputs/Outputs, Agilent 8560 EC-Series

(All values are nominal)

Front Panel Connectors

RF Input

Agilent 8560EC, 8561EC, 8562EC, 8563EC	Type N female, 50 Ω
(Option 026, Agilent 8563EC only)	APC 3.5 mm male, 50 Ω
Agilent 8564EC, 8565EC	APC 2.4 mm male, 50 Ω
VSWR (≥ 10 dB atten)	
30 Hz to 2.9 GHz	< 1.5:1 dB
2.9 GHz to 50 GHz	< 2.3:1 dB
LO Emission Level	
(average w/10 dB atten)	≤ 80 dBm

IF Input

Frequency	310.7 MHz
Full Screen Level	-30 dBm
Gain Compression	-23 dB

First LO Output

Frequency	SMA female, 50 Ω
Amplitude	3.000 - 6.8107 GHz*
	+16.5 dBm ± 2.0 dB*

* Option 002: 3.9107 to 6.8107 GHz, +14.5 dBm ± 3.0 dB

Cal Output

BNC female, 50 Ω

Probe Power

+15 Vdc, -12.6 Vdc, and Gnd (150 mA max each)

Rear Panel Connectors

Earphone

Subminiature mono jack, 0.2 W into 4 Ω

10 MHz REF In/Out

Shared BNC female, 50 Ω

Output Freq Accuracy $\pm(10$ MHz x freq ref accuracy)

Output Amplitude 0 dBm

Input Amplitude -2 to +10 dBm

Video Output

BNC, 50 Ω

Amplitude (RBW ≥ 300 Hz) 0 to +1 V full scale

LO Sweep Frequency Analog Voltage Output

(LO Sweep or V/GHz function selectable from the front panel, BNC female, 120 Ω)

LO Sweep Output 0 to 10 V (no load)

Frequency Analog Voltage Output (internal mixer mode)

Output ramp voltage proportional to start and stop frequencies.

Transfer Function: 0.5 V/GHz.

0.5 V/GHz Output (external mixer mode)

Output ramp voltage proportional to LO frequency: (LO = 3 to 6.8107 GHz).

Transfer Function: (1.5 V/GHz x LO frequency (GHz) -0.2054) ± 50 mV (typ).

Blanking/Gate

Output

Shared BNC female, 50 Ω

Blanking Mode

During Sweep Low TTL Level

During Retrace High TTL level

Gate Mode

Gate On High TTL level

Gate Off Low TTL level

External/Gate

Trigger Input

Shared BNC female, > 10 k Ω

Settable to high TTL or low TTL

IEEE-488 bus connector

GPIB

Interface Functions

SH1, AH1, T6, L4, LE0, RL1, PP1, DC1, DT1, C1, C28, TE0, SR1

Direct Printer Output

Supports HP 3630A PaintJet printer, HP 2225A ThinkJet printer

Direct Plotter Output

Supports HP 7225A/7440A/7470A/7475A/7550A

Options

Option 001 Second IF output, Agilent 8560 EC-Series

(all values are nominal)

3 dB bandwidth NF conversion gain	8560EC	8561EC	8562EC	8563EC	8564EC, 8565EC
30 Hz to 2.9 GHz*	> 25 MHz 24 dB 1.2 dB	> 25 MHz 25 dB -6.5 dB	> 25 dB 20 dB -1.2 dB	> 25 MHz 25 dB -1.2 dB	>25 MHz 28 dB -1.2 dB
2.9 GHz to 6.5 GHz		> 30 MHz 26 dB -1 dB	> 30 MHz 22 dB -3 dB	> 30 MHz 22 dB -1 dB	>30 MHz 23 dB -1 dB
6.5 GHz to 13.2 GHz			> 37 MHz 26 dB -5.7 dB	> 37 MHz 26 dB -5.7 dB	>37 MHz 28 dB -5.7 dB
13.2 GHz to 22 GHz				> 45 MHz 30 dB -8 dB	> 45 MHz 32 dB -8 dB
22 GHz to 26.8 GHz				> 45 MHz 32 dB -8 dB	> 45 MHz 35 dB -8 dB
26.8 GHz to 31.15 GHz					> 25 MHz 28 dB -9 dB
31.15 GHz to 40 GHz					> 25 MHz 38 dB -19 dB
40 GHz to 50 GHz					> 25 MHz 42 dB -23 dB

* DC coupled for frequencies below 100 kHz. Option 006 required for operation below 9 kHz in Agilent 8563EC, 8564EC, 8565EC.

Options, cont'd

Option 002 Built-in Tracking Generator* (Agilent 8560EC)

Frequency Specifications

Frequency Range	300 kHz to 2.9 GHz
Accuracy	
After Peaking	$\pm(\text{frequency reference accuracy} \times \text{tuned frequency} + 5\% \times \text{span} + 295 \text{ Hz})$
Tracking Drift (nominal)	Usable in 1 kHz RBW after 5 minutes warm-up. Usable in 300 Hz RBW after 30 minute warm-up.
Minimum RBW	300 Hz**

Amplitude Specifications

Output Level	-10 dBm to +1 dBm
10 dBm to +2.8 dBm (typical)	
Resolution	0.1 dB
Accuracy	
Vernier	$\pm 0.20 \text{ dB}, \pm 0.5 \text{ dBm max } (25^\circ\text{C} \pm 10^\circ\text{C})$
Absolute	$\pm 0.75 \text{ dB}$
Level Flatness	$\pm 2.0 \text{ dB}$
Effective Source Match	1.92:1 (nominal)
Total Absolute Accuracy	$\pm 3.25 \text{ dB}$

Spurious Output (at + 1 dBm output power)

Harmonic Spurious	-25 dBc
Non-harmonic Spurious	
300 kHz to 2.0 GHz	-27 dBc
2.0 GHz to 2.9 GHz	-23 dBc
LO Feedthrough	-16 dBm (3.9 GHz to 6.8 GHz)
Residuals (RF-Power-Off)	-78 dBm (300 kHz to 2.9 GHz)

Dynamic Range

TG Feedthrough***	
300 kHz to 1 MHz	-95 dBm
1 MHz to 2.7 GHz	-115 dBm
2.7 GHz to 2.9 GHz	-110 dBm

Dynamic Range****

300 kHz to 1 MHz	96 dB
1 MHz to 2.7 GHz	116 dB
2.7 GHz to 2.9 GHz	111 dB

Power Sweep	10 dB range, 0.1 dB resolution
--------------------	--------------------------------

Inputs/Outputs

RF Output (front panel)	Type-N female, 50 W (nominal)
Maximum Safe Reverse Level	+ 30 dBm, $\pm 30 \text{ Vdc}$

External ALC Input (rear panel) BNC female Use with negative detector

* Option 002 deletes millimeter external mixer capability (Second IF input is deleted)

** Tracking generator not useable with resolution bandwidths $\leq 100 \text{ Hz}$

*** Leakage measured with maximum power into 50Ω and with 50 W on RF input

**** Difference between maximum power output and tracking generator feedthrough

Environmental Specifications, Agilent 8560 EC-Series

Per MIL-PRF-28800F, Class 3

Calibration Interval

Agilent 8560EC, 8561EC, 8562EC, 8563EC: 2 years
 Agilent 8564EC, 8565EC: 1 year

Warm-up Time

5 minutes in ambient conditions

Temperature

0°C to +55°C (operating);
 -40°C to +75°C (not operating)

Humidity

95% @ 40°C for 5 days

Rain Resistance

Drip-proof at 16 liters/hour/sq. ft.

Altitude

15,000 ft. (operating), 50,000 ft. (non-operating)

Pulse Shock (half sine)

30g for 11ms duration

Transit Drop

8-inch drop on six faces and eight corners

Electromagnetic Compatibility:

Conducted and radiated interference in compliance with CISPR Pub. 11 (1990). Meets Mil-STD-461C, part 2, with certain exceptions.

Power Requirements:

115 VAC operation: 90 to 140 V rms,
 3.2 A rms max, 47 to 440 Hz 230 VAC operation:
 180 to 250 V rms, 1.8 A rms max, 47 to 66 Hz

Maximum Power Dissipation

Agilent 8560EC, 8561EC, 8562EC, 8563EC 180 W
 Agilent 8564EC, 8565EC: 260 W

Audible Noise (nominal):

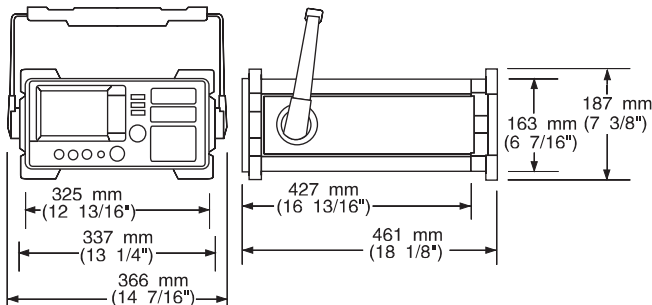
< 5.0 Bels power at room temp (ISO DP7779)

Dimensions (w/o handle, cover):

337 mm W x 187 mm H x 461 mm D

Weight (nominal)

Agilent 8560EC, 8561EC, 8562EC, 8563EC: 16.5 kg (36 lbs)
 Agilent 8564EC, 8565EC: 17.3 kg (38 lbs)



Agilent Technologies

Innovating the HP Way

For more information about Agilent Technologies test and measurement products, applications, services, and for a current sales office listing, visit our web site:

<http://www.agilent.com/find/tmdir>
 You can also contact one of the following centers and ask for a test and measurement sales representative.

United States:

Agilent Technologies
 Test and Measurement Call Center
 P.O. Box 4026
 Englewood, CO 80155-4026
 (tel) 1 800 452 4844

Canada:

Agilent Technologies Canada Inc.
 5150 Spectrum Way
 Mississauga, Ontario, L4W 5G1
 (tel) 1 877 894 4414

Europe:

Agilent Technologies
 European Marketing Organization
 P.O. Box 999
 1180 AZ Amstelveen
 The Netherlands
 (tel) (31 20) 547 9999

Japan:

Agilent Technologies Japan Ltd.
 Measurement Assistance Center
 9-1, Takakura-Cho, Hachioji-Shi,
 Tokyo 192-8510, Japan
 (tel) (81) 426 56 7832
 (fax) (81) 426 56 7840

Latin America:

Agilent Technologies
 Latin American Region Headquarters
 5200 Blue Lagoon Drive, Suite #950
 Miami, Florida 33126, U.S.A.
 (tel) (305) 267 4245
 (fax) (305) 267 4286

Australia/New Zealand:

Agilent Technologies Australia Pty Ltd
 347 Burwood Highway
 Forest Hill, Victoria 3131
 (tel) 1-800 629 485 (Australia)
 (fax) (61 3) 9272 0749
 (tel) 0 800 738 378 (New Zealand)
 (fax) (64 4) 802 6881

Asia Pacific:

Agilent Technologies
 19/F, Cityplaza One, 1111 King's Road,
 Taikoo Shing, Hong Kong, SAR
 (tel) (852) 2599 7889
 (fax) (852) 2506 9233

Technical data is subject to change

Copyright © 1999

Agilent Technologies

Printed in U.S.A. 11/99

5968-8156E