

## Fluke i30s AC/DC Current Clamp

### Technical Data



The i30s current clamp is based on Hall effect technology for use in measurement of both dc and ac current. The i30s may be used in conjunction with oscilloscopes and other suitable recording instruments for accurate non-intrusive current measurement.

#### Electrical specifications

**Specified current range:** 30 mA to 30 A DC,  
30 mA to 20 A AC rms  
**Usable current range:** 5 mA to 30 A DC,  
30 mA to 20 A AC rms  
**Crest factor:** 1.4  
**Output sensitivity:** 100 mV/A  
**Accuracy (at +25 °C):**  $\pm 1\%$  of reading  $\pm 2$  mA  
**Resolution:**  $\pm 1$  mA  
**Load impedance:**  $> 100$  k $\Omega$   
**Conductor position sensitivity:**  $\pm 1\%$  relative to  
centre reading  
**Frequency range:** DC to 100 kHz ( $-0.5$  dB)  
**Phase shift below 1 kHz:**  $< 2$  degrees  
**Temperature coefficient:**  $\pm 0.01\%$  of reading/ $^{\circ}\text{C}$   
**Power supply:** 9 V Alkaline, MN1604/PP3,  
30 hours, low battery indicator  
**Working voltage (see Safety Standards section):**  
300 V ac rms or dc

#### General specifications

**Maximum conductor size:** 19 mm (.748 in) diameter  
**Output connection:** Safety BNC connector,  
supplied with safety 4 mm (.157 in) adapter  
**Output zero:** Manual adjust via thumbwheel  
**Cable length:** 2 m (6.56 ft)  
**Operating temperature range:** 0 °C to +50 °C  
(-32 °F to 122 °F)  
**Storage temperature range (with battery removed):**  
-20 °C to +85 °C (-4 °F to 185 °F)  
**Operating humidity:** 15 % to 85 % (non-condensing)  
**Weight:** 250 g (.55 lb)

**Safety standards**

BS EN 61010-1: 2001  
 BS EN 61010-2-032: 2002  
 BS EN 61010-031: 2002

300 Vrms, Category III, Pollution Degree 2

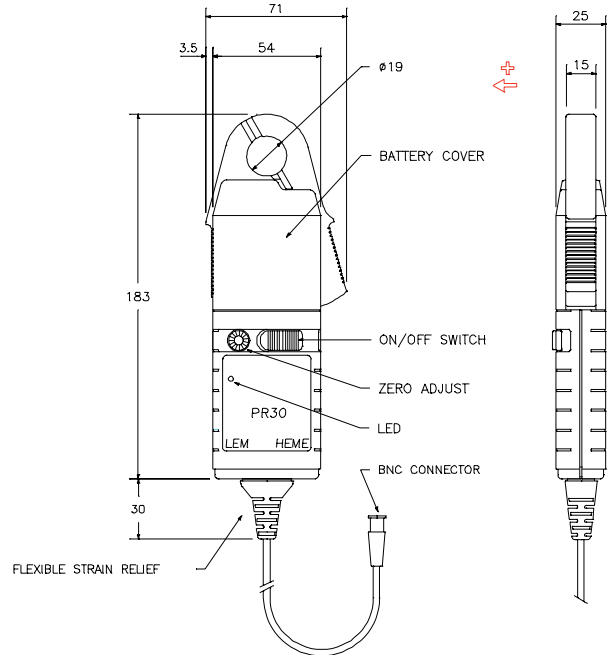
Use of the probe on uninsulated conductors is limited to 300 V acrms or dc and frequencies below 1 kHz.

**EMC Standards**

EN 61326: 1998 +A1, A2, & A3

**Dimensions (HxWxD)**

183 mm x 71 mm x 25 mm (7.2 in x 2.8 in x 1 in)



**Ordering information**  
 i30s AC/DC Current Clamp



i30s connected to a Fluke 199C ScopeMeter.

**Fluke.** *Keeping your world up and running.*

**Fluke Corporation**

PO Box 9090, Everett, WA USA 98206

Fluke Europe B.V.  
 PO Box 1186, 5602 BD  
 Eindhoven, The Netherlands

For more information call:  
 In the U.S.A. (800) 443-5853 or  
 Fax (425) 446-5116  
 In Europe/M-East/Africa +31 (0) 40 2 675 200 or  
 Fax +31 (0) 40 2 675 222  
 In Canada (800) 36-FLUKE or  
 Fax (905) 890-6866  
 From other countries +1 (425) 446-5500 or  
 Fax +1 (425) 446-5116  
 Web access: <http://www.fluke.com>

©2006 Fluke Corporation. All rights reserved.  
 Specifications subject to change without notice.  
 Printed in U.S.A. 12/2006 2747115 D-EN-N Rev B