

# CNV 504 / 508 T-SERIES

## COUPLING/DECOUPLING NETWORK FOR UNSHIELDED SYMMETRICAL INTERCONNECTION LINES (COMMUNICATION LINES)



### SELON LES NORMES SUIVANTES ...

- > EN 61000-4-5
- > IEC 61000-4-5
- > ITU-T K.44

### CNV 504 / 508 T-SERIES - COUPLING DECOUPLING NETWORKS FOR UNSHIELDED COMMUNICATION LINES

Surge pulses and Telecom Surge pulses are applied to unshielded symmetrical interconnection lines (communication lines) by means of standalone coupling/decoupling networks. The CNV 504T5 is designed for 4 lines (2 pairs) and the CNV 508T5 for 8 lines (4 pairs) and can also be used for either 4, 2 or 1 pairs.

According to IEC 61000-4-5 Ed.3, (Fig. 10) the pulses are coupled via gas arrestors and a matching resistor per line.

#### HIGHLIGHTS

- > As per IEC 61000-4-5 Ed.3, Fig 10/A4, ITU K.44
- > For test pulse 1.2/50 - 8/20 $\mu$ s and 10/700 $\mu$ s
- > Coupling via gas arrestor or other coupling
- > Built-in matching resistors
- > 20mH decoupling, current compensated pairs
- > Test voltage up to 5kV
- > Line voltage 50V
- > Line current 1A

#### DOMAINES D'APPLICATION

-  INDUSTRIE
-  MÉDICAL
-  RÉSIDENTIEL
-  TÉLÉCOMMUNICATION

**DÉTAILS TECHNIQUES**

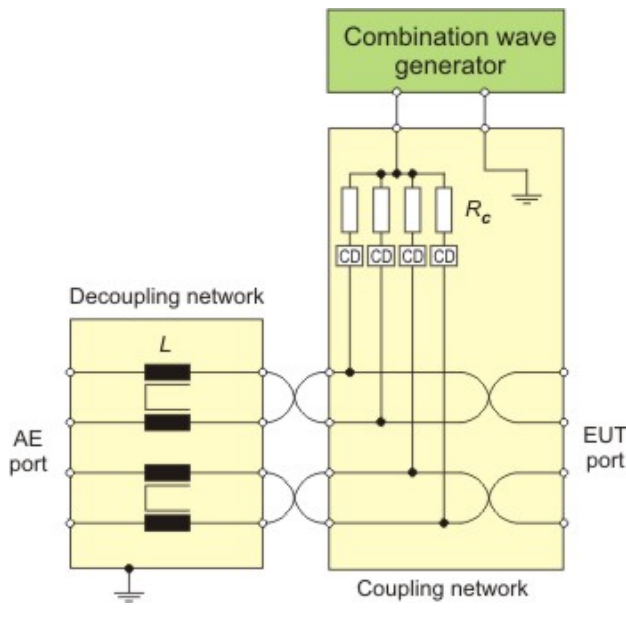
**SURGE 1.2 / 50 US**

**CNV 504 / 508 T-SERIES - SURGE COUPLING/DECOUPLING NETWORKS FOR COMMUNICATION LINES**

The EM TEST CNV 504 / 508 T-series coupling/ decoupling networks are designed to couple Surge pulses (1.2/50us - 8/20us) and Telecom Surge pulses (10/700us) onto unshielded symmetrically operated communication lines.

The CNV-models includes the coupling via gas arrestor plus the internal matching resistor  $R_c$  as per figure 10 of IEC 61000-4-5 Ed.3 with values as per the formula given by the standard. All lines are subjected to the test pulse simultaneously with respect to ground.

The CNV also include the required decoupling part consisting of decoupling inductors of 20mH for each line, pairwise current compensated. To further protect the auxiliary equipment being needed for testing the DUT an additional protection circuit is integrated at the communication line input.



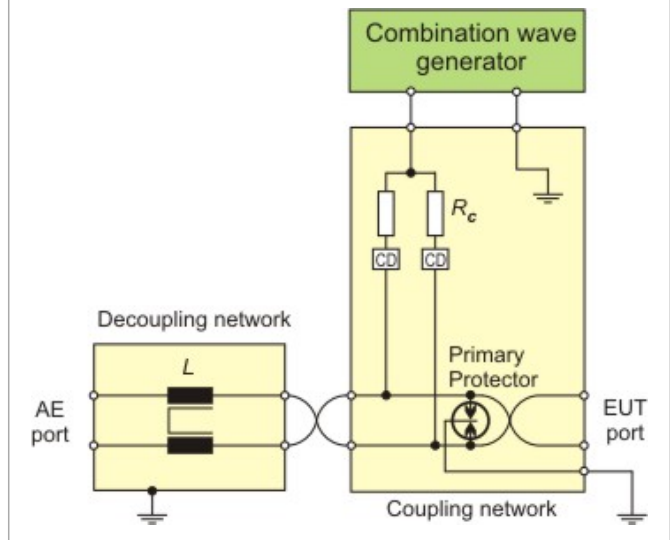
**SURGE 10/700 US**

**CNV 504 / 508 T-SERIES - TELECOM SURGE COUPLING/DECOUPLING NETWORKS FOR COMMUNICATION LINES**

The CNV 504 / 508 T-series is also designed as per figure A4 of IEC 61000-4-5 Ed.3 without primary protector. If required, an additional primary protector must be integrated according the user specifications.

With short circuit bridges and individual designed coupling devices the user can easy modify the coupling mode and number of tested lines to the requirements.

EM TEST offers CNV 504 / 508 T-series coupling/decoupling networks for test voltages up to 5kV.



## DÉTAILS TECHNIQUES

**CNV 504T5 FOR 4 UNSHIELDED  
SYMMETRICAL COMMUNICATION  
LINES**
**CNV 504T5 FOR 4 UNSHIELDED  
SYMMETRICAL COMMUNICATION  
LINES**

## COMMON DATA CNV 504T5

CDN	for 4 lines (2 pairs) as per IEC 61000-4-5 Ed.3, - Surge pulses (Fig. 10), - Telecom Surge (Fig. A4)
Max. voltage	5 kV impulse
Line voltage	max. 50 V
Line current	max. 1 A
Coupling	Selectable - GDT, gas arrester - Individual CD
Matching resistors Rc	Surge Pulse 1.2/50 $\mu$ s, 4 x 160 ohm (2 pairs), 2 x 80 ohm (1 pair)
Matching resistors Rc	Telecom surge 10/700 $\mu$ s, 4 x 25 ohm
Decoupling	20 mH decoupling inductor, $\pm$ 10 % tolerance, pairwise current compensated
Residual voltage	at the AE port, 5 kV impulse 88 V (1.2/50 $\mu$ s), 80 V (10/700 $\mu$ s)
Signal Bandwidth	100 kHz with 600 ohm load

## GENERAL DATA CNV 504T5

Connectors	4 mm safety lab sockets
Dimensions	447 mm x 400 mm x 143 mm
Weight	11.20 kg

## ACCESSORIES

HVS - Banana - Banana	HV cable 1.0 m 1 x red (HV) 1 x black (COM)
Earth cable	Art. 10945 1 x 0.6 m yellow-green 2 x M4 screws with toothed washer
Short circuit bridges	8 bridges, 4 x (25/160) ohm resistors, 4 x coupling
Safety lab cables	Art:105886 8 x 0.25 m Safety lab cables

## DÉTAILS TECHNIQUES

## CNV 508T5 FOR 8 UNSHIELDED SYMMETRICAL COMMUNICATION LINES

### COMMON DATA CNV 508T5

CDN	for 8 lines (4 pairs) as per IEC 61000-4-5 Ed.3, - Surge pulses (Fig. 10), - Telecom Surge (Fig. A4)
Max. voltage	5 kV impulse
Line voltage	max. 50 V
Line current	max. 1 A
Coupling	Selectable - GDT, gas arrester - Individual CD
Matching resistors Rc	Surge Pulse 1.2/50 $\mu$ s, 8 x 320 ohm (4 pairs), 4 x 160 ohm (2 pairs), 2 x 80 ohm (1 pair)
Matching resistors Rc	Telecom surge 10/700 $\mu$ s, 8 x 25 ohm
Decoupling	20 mH decoupling inductor, $\pm$ 10 % tolerance pairwise current compensated
Residual voltage	at the AE port, 5 kV impulse 85 V (1.2/50 $\mu$ s), 60 V (10/700 $\mu$ s)
Signal Bandwidth	100 kHz with 600 ohm load

### GENERAL DATA CNV 508T5

Connectors	4 mm safety lab sockets
Dimensions	447 mm x 400 mm x 143 mm
Weight	16.65 kg

## CNV 508T5 FOR 8 UNSHIELDED SYMMETRICAL COMMUNICATION LINES

### ACCESSORIES

HVS - Banana - Banana	HV cable 1.0 m 1 x red (HV) 1 x black (COM)
Earth cable	Art. 10945 1 x 0.6 m yellow-green 2 x M4 screws with toothed washer
SCC Short circuit bridges	16 bridges, 8 x (25/320) ohm resistors, 8 x coupling
Safety lab cables	Art:105886 18 x 0.25m Safety lab cables
Manual	English and German manual on CD

## OPTIONS

### COUPLING DEVICES

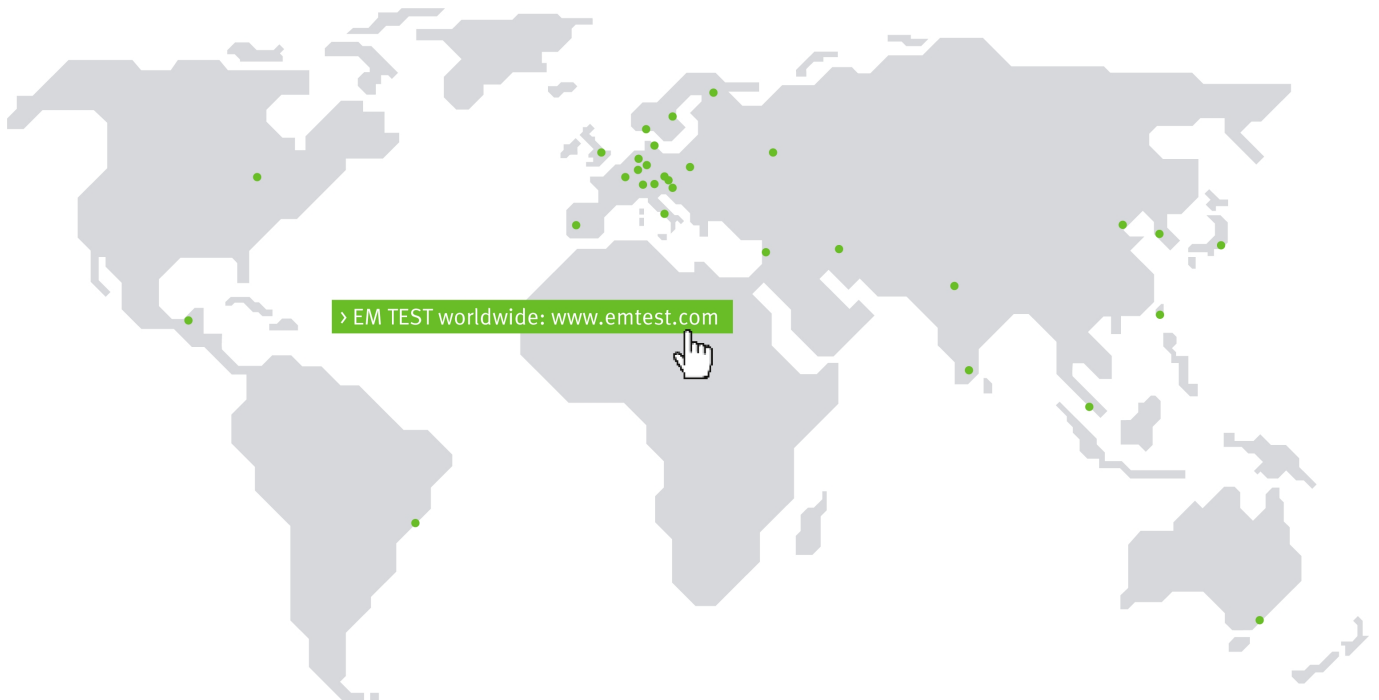
ABD Plug 140 V	Avalanche Breaking Diode Coupling diode for Surge 1,2/50 $\mu$ s and Telecom Surge 10/700 $\mu$ s Max. Impulse voltage 7 kV
----------------	---

## GENERAL DATA

### ENVIRONMENT

Temperature	5 - 40 °C
Rel. humidity	10 - 90 %, non-condensing
Atmospheric pressure	86 kPa (860 mbar) to 106 kPa (1,060 mbar)

# COMPÉTENCE DANS TOUS LES DOMAINES



## CONTACTEZ DIRECTEMENT EM TEST

### Suisse

EM TEST (Switzerland) GmbH > Sternhofstraße 15 > 4153 Reinach > Switzerland  
 Téléphone +41 (0)61/7179191 > Fax +41 (0)61/7179199  
 Internet: www.emtest.ch > E-mail: sales.emtest@ametek.com

### Allemagne

AMETEK CTS Germany GmbH > Lünener Straße 211 > 59174 Kamen > Deutschland  
 Téléphone +49 (0)2307/26070-0 > Fax +49 (0)2307/17050  
 Internet: www.emtest.com > E-mail: info.cts@ametek.de

### France

EM TEST FRANCE > Le Trident - Parc des Collines > Immeuble B1 - Etage 3 > 36, rue Paul Cézanne > 68200 Mulhouse > France  
 Téléphone +33 (0)389 31 23 50 > Fax +33 (0)389 31 23 55  
 Internet: www.emtest.fr > E-mail: info@emtest.fr

### Pologne

EM TEST Polska > ul. Ogrodowa 31/35, 00-893 Warszawa > Polska  
 Téléphone +48 (0)518 64 35 12  
 Internet: www.emtest.com/pl > E-mail: infopolska.emtest@ametek.com

### USA / Canada

AMETEK Compliance Test Solutions > 52 Mayfield Ave. > Edison > NJ 08837  
 Téléphone +1 (732) 417-0501  
 Internet: www.emtest.com > E-mail: sales.emtest@ametek.com

### Chine

E & S Test Technology Limited > Rm 913, Leftbank > No. 68 Bei Si Huan Xi Lu > Haidian District > Beijing 100080 > P.R. China  
 Téléphone +86 (0)10 82 67 60 27 > Fax +86 (0)10 82 67 62 38  
 Internet: www.emtest.com > E-mail: info@emtest.com.cn

### République de Corée

EM TEST Korea Limited > #405 > WooYeon Plaza > #986-8 > YoungDeok-dong > Giheung-gu > Yongin-si > Gyeonggi-do > Korea  
 Téléphone +82 (31) 216 8616 > Fax +82 (31) 216 8616  
 Internet: www.emtest.co.kr > E-mail: sales@emtest.co.kr

Les informations sur l'étendue de la livraison, la présentation visuelle et les données techniques correspondent à l'état de développement du produit au moment de la mise en circulation de la fiche technique. Les données techniques sont susceptibles de changement sans préavis.